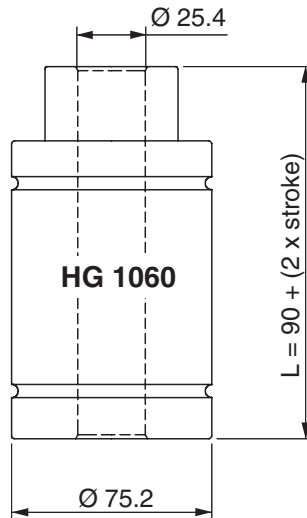
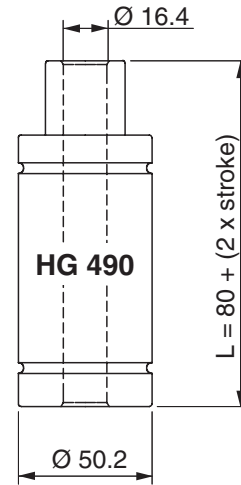
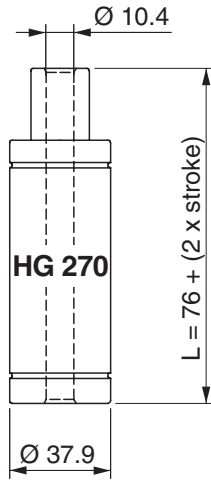


Overview - HG Models

The HG (Hollow Gas spring) models are gas springs with a hole that passes right the the way through the middle of the spring. The springs are available with initials forces from 250 to 1030 daN.



HG - Hollow rod Gas springs

HG 270-1060

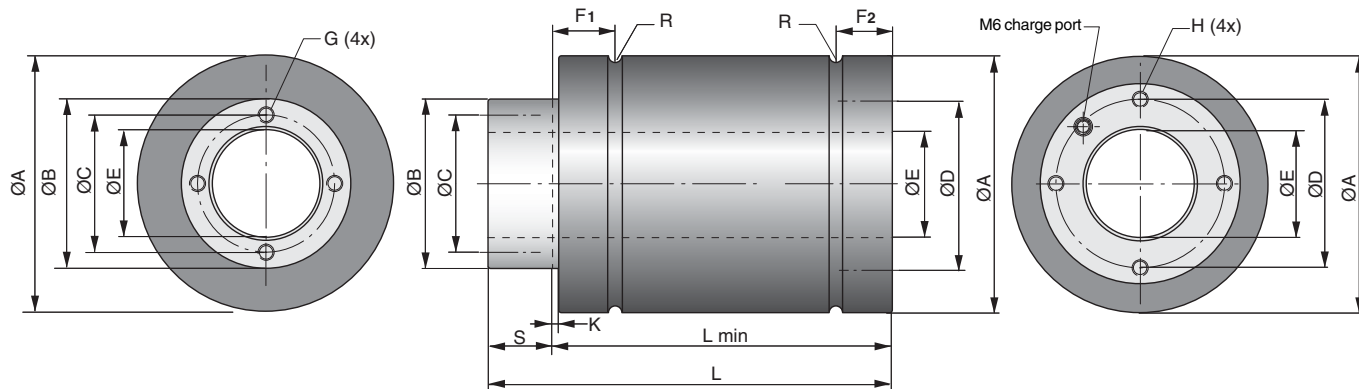


2.12/2

HG 270-1060



The **Hollow Gas spring** is a gas spring with a hole through the centre of the spring. The spring is not hoseable as it has no charge port on the side of the spring body.



Model	Ø A ± 0.1	Ø B	Ø C	Ø D	Ø E	F ₁	F ₂	G	H	R	K
HG 270	37.9	22	--	--	10.4	11.5	10.5	--	--	1	2
HG 490	50.2	30	23	28	16.4	15.5	14.5	M4 (depth 8)	M4 (depth 8)	2	3
HG 1060	75.2	50	36	48	25.4	19	18	M6 (depth 11)	M6 (depth 12)	2.5	3

Order No.	S Stroke	Force in N at 150 bar/+20°C			L +0 -1	L min	Gas vol. (l)	Weight (kg)
		Initial	End force*					
HG 270-016	16	2500	3902	108	92	0.01	0.57	
HG 270-025	25		3860	126	101	0.02	0.62	
HG 270-050	50		3826	176	126	0.04	0.75	
HG 270-080	80		3813	236	156	0.06	0.94	
HG 490-016	16	4700	7548	112	96	0.02	1.01	
HG 490-025	25		7916	130	105	0.03	1.09	
HG 490-050	50		8332	180	130	0.05	1.32	
HG 490-080	80		8518	240	160	0.08	1.64	
HG 1060-016	16	10300	16076	122	106	0.05	2.56	
HG 1060-025	25		17006	140	115	0.06	2.80	
HG 1060-050	50		18124	190	140	0.11	3.35	
HG 1060-080	80		18644	250	170	0.16	3.98	
HG 1060-100	100		18833	290	190	0.20	4.37	

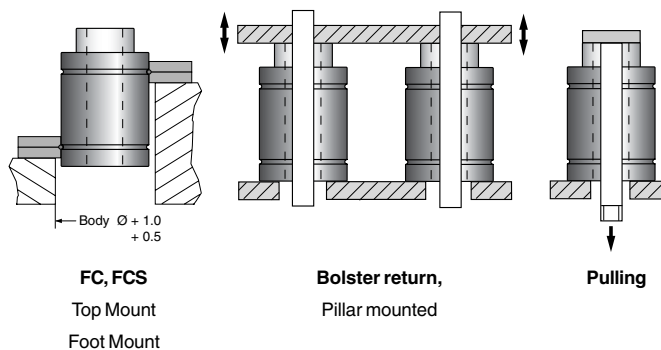
* = at full stroke

BASIC INFORMATION

For general information see "About gas springs", 2.1
 Pressure medium Nitrogen
 Max. charging pressure 150 bar
 Min. charging pressure 50 bar
 Operating temperature 0 to +80°C
 Force increase by temperature ±0.3%/°C
 Recommended max strokes/min ... ~ 15-40 (at 20°C)
 Max piston rod velocity 0.5 m/s
 Rod surface Nitrided
 Tube surface Nitrided

Repair kits
 HG 270 3018340-0270
 HG 490 3018340-0490
 HG 1060 3018340-1060

MOUNTING POSSIBILITIES



KALLER®

HG 270-1060 Mounts

