

KALLER®

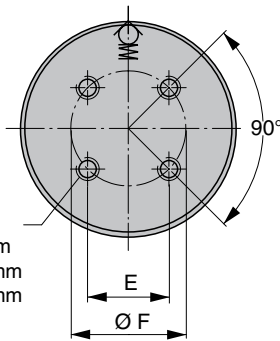
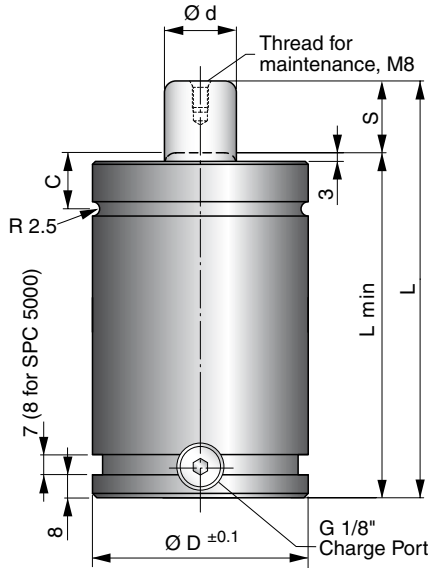


New!



Speed Control™ - SPC Gas Springs

Speed Control™ - SPC Gas Springs



- SPC 750 M8 (4x), depth 13 mm
- SPC 1500 M8 (4x), depth 13 mm
- SPC 3000 M10 (4x), depth 13 mm
- SPC 5000 M10 (4x), depth 13 mm
- SPC 800 M8 (4x), depth 13 mm



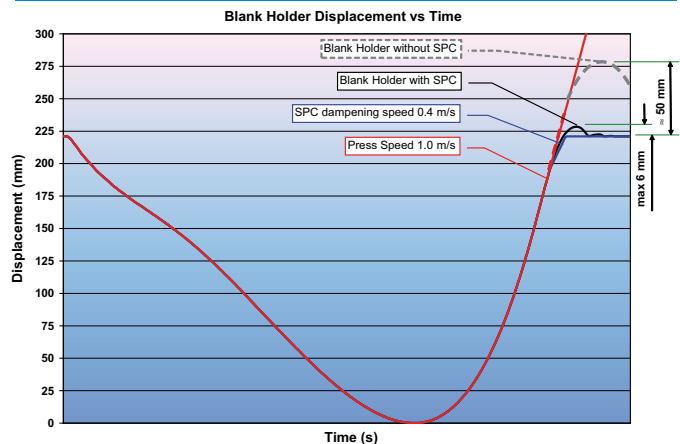
KALLER Speed Control™ – SPC gas springs have been engineered to reduce or eliminate blank holder bounce; commonly associated with increased return stroke speeds from link drive presses.

SPC gas springs have inbuilt return stroke **speed dampening**, which decelerates the last 30 mm of piston rod stroke to 0.4 m/s, helping to bring the blank holder to a smooth stop.

Speed Control™ – SPC features:

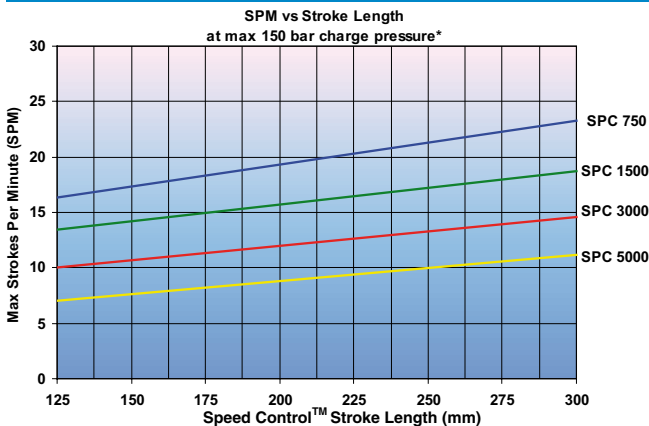
- Eliminates blank holder bounce
- Increases productivity by increasing part transfer efficiency
- Easily retrofitted to existing dies
- Stroke lengths 125 to 300 mm
- Linkable using hose-system

Function Example



Speed Control™ gas springs gave a 90% reduction of blank holder bounce!

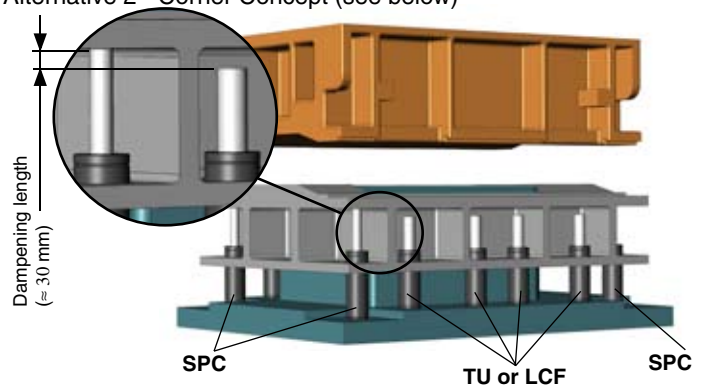
Performance



*At ambient room temperatures with free air flow

Installation Concept

- Alternative 1 - Replace all springs with SPC
- Alternative 2 - Corner Concept (see below)



Dimensions - SPC 750 to SPC 5000

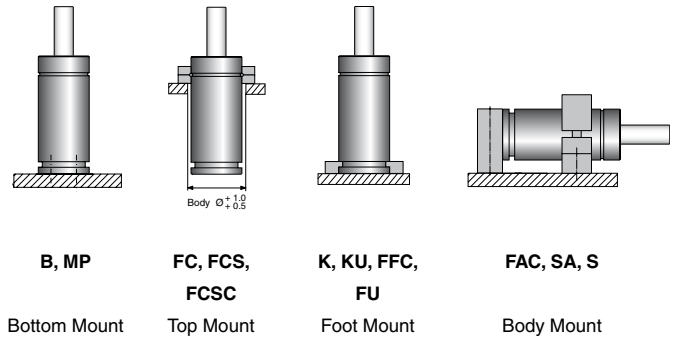
Order No.	S Stroke	Force in N at 150 bar/ + 20°C		L ±0.25	L min	C	Rod Ø d	Cylinder Ø D	E	Ø F	Gas volume (l)	Weight (kg)
		Initial	End force *									
SPC 750-125	125	7400	8700	360	235	21	25	75.2	28.3	40	0.44	6.10
SPC 750-160	160			430	270						0.55	6.60
SPC 750-200	200			510	310						0.67	7.15
SPC 750-250	250			610	360						0.83	7.85
SPC 750-300	300			710	410						0.98	8.60
SPC 1500-125	125	15000	19000	370	245	24	36	95.2	42.4	60	0.73	9.2
SPC 1500-160	160			440	280						0.91	10.3
SPC 1500-200	200			520	320						1.11	11.4
SPC 1500-250	250			620	370						1.36	12.9
SPC 1500-300	300			720	420						1.62	14.4
SPC 3000-125	125	30000	38000	390	265	25.5	50	120.2	56.6	80	1.15	10.7
SPC 3000-160	160		38000	460	300						1.43	11.4
SPC 3000-200	200		38000	540	340						1.74	12.1
SPC 3000-250	250		39000	640	390						2.14	13.1
SPC 3000-300	300		39000	740	440						2.53	14.0
SPC 5000-125	125	50000	64000	405	280	27.5	65	150.2	70.7	100	1.90	26.6
SPC 5000-160	160		65000	475	315						2.33	28.9
SPC 5000-200	200		66000	555	355						2.82	31.7
SPC 5000-250	250		66000	655	405						3.43	35.0
SPC 5000-300	300		66000	755	455						4.05	38.6

* = at full stroke

Basic Information

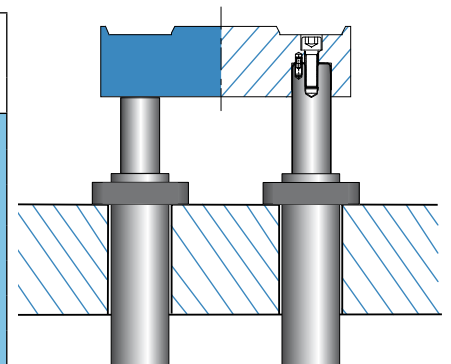
Note! See main catalogue for more information.
 Pressure medium Nitrogen
 Max. charging pressure 150 bar (at 20°C)
 Min. charging pressure 25 bar (at 20°C)
 Operating temperature 0 to +80°C
 Force increase by temperature..... ±0.3%/°C
 Recommended max strokes/min See chart
 Dampening length ≈ 30 mm
 Dampening speed 0.4 m/s
 Rod surface Nitrided
 Tube surface Black oxide
 Repair Kits Available for all models

Mounting Possibilities



Stock Lifter SPC 800 version

Order No.	S Stroke	Force in N at 70 bar/ + 20°C		L ±0.25	L min	C	Rod Ø d	Cyl. Ø D	E	Ø F
		Initial	End force *							
SPC 800-050	50	7100	8800	304	254	21	36	75.2	28.3	40
SPC 800-080	80		9200	364	284					
SPC 800-100	100		9400	404	304					
SPC 800-125	125		9600	454	329					
SPC 800-150	150		9700	504	354					
SPC 800-175	175		9800	554	379					
SPC 800-200	200		9900	604	404					



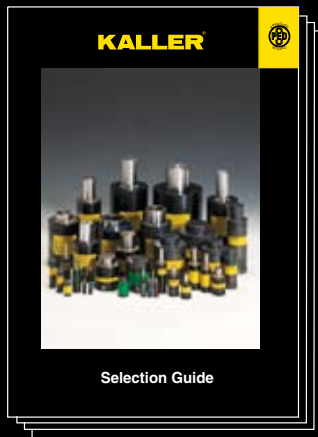
For more information, see Stock Lifter SPC 800 brochure/www.kaller.com

We reserve the right to add, delete or modify components without notification.

All dimensions are stated in mm.
 All dimensions are nominal unless tolerance is stated.

KALLER®

The Safer Choice



Selection Guide

Gas Springs

Kaller developed the first nitrogen gas spring for press tools and today offers a comprehensive selection of high quality gas springs for use in different tool & die applications.



Controllable Gas Spring - KF2

Controllable Gas Springs-KF2

Kaller controllable springs are a family of gas springs, for use in press tools, that can be locked in their bottom position and where the return stroke of the spring can be controlled.



Flange Stripper LW, LT

Flange Stripper Unit

Kaller Flange Stripper Unit is used in flanging dies for stripping/lifting a flanged part after forming. It provides 200 daN of stripping force, can be top or bottom mounted and is self guiding.



Flex Cam™

Flex Cam™

The Flex Cam is used for piercing, cutting, forming and flanging operations. The system allows for a flexible distribution of forces with optimal direction and velocity. By using a Flex Cam, fewer tools are required in production.



Roller Cam RC2, RCP2

Roller Cam

Kaller Roller Cam is used for piercing, trimming, flanging and restriking. The Roller Cam can be mounted in both vertical and horizontal angles.



Counter Balance

Counter Balance

Kaller Counter Balance gas springs can be used to lift, lower, assist, balance, and hold in a multitude of applications.

KALLER®

Strömsholmen AB

Box 216 • SE-573 23 Tranås

Sweden

Phone +46 140 571 00

info@kaller.com



For more information see our website

www.kaller.com

KALLER®
GAS SPRINGS

USA +1 586 415 6677

Korea +82 31 422 4591

China +86 22 83962995

Mexico +11 5281 81450570