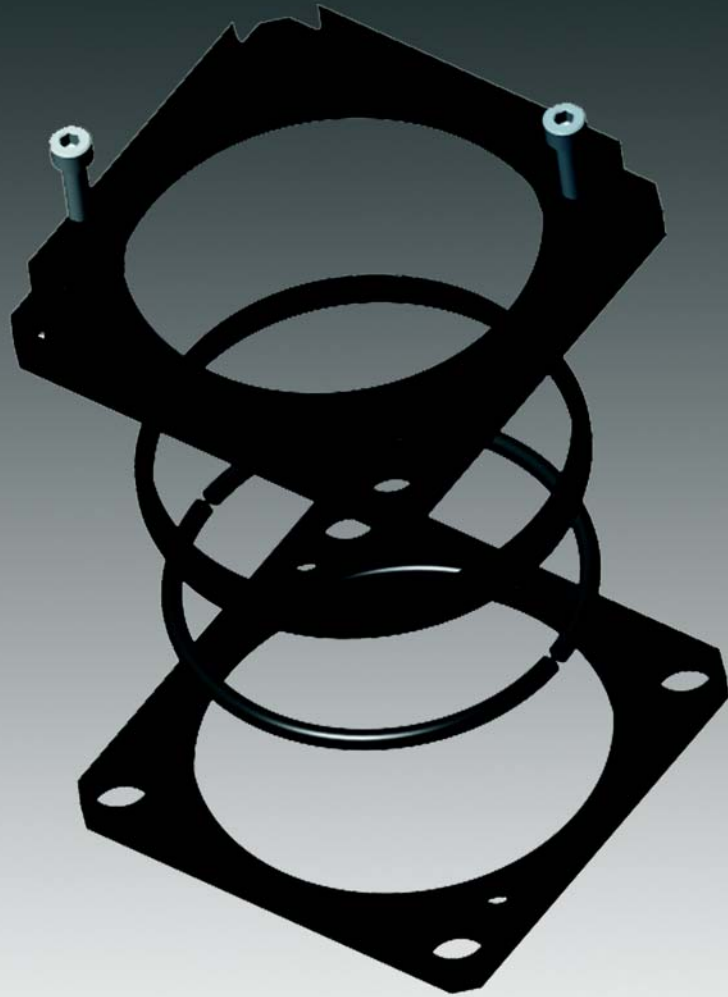


# KALLER<sup>®</sup>



## Flange FCSC

## FCSC Flange

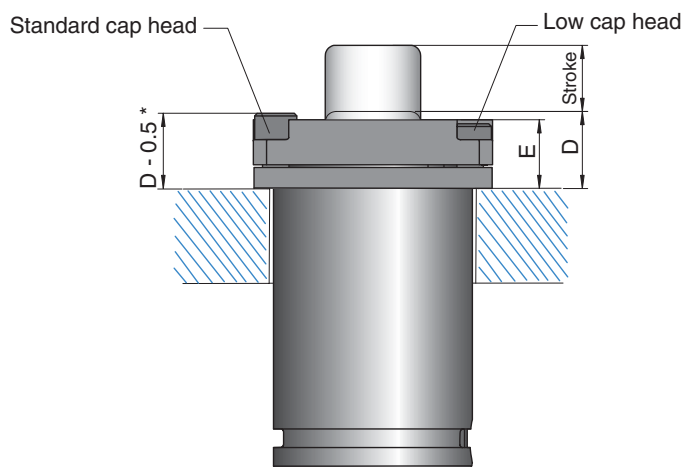
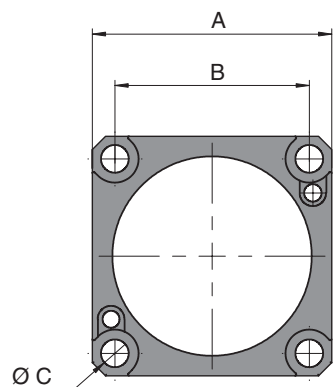
The FCSC Clamp Flange has a unique patented design that offers a very robust play free connection between the gas spring and the mount. This play free connection also eliminates rotation of the gas spring.

The FCSC Clamp Flange is especially suitable for gas springs that are to be hosed together and/or have high speed, long stroke upside-down installations.

The FCSC Clamp Flange is available for gas spring sizes from 750 up to 7500.

**Please Note!** The FCSC and FCS flanges are fully interchangeable if low cap head mounting screws (4x) are used. Using low cap head screws makes the top of the screw sit flush with the top of the flange. Using normal cap head screws causes the top of the screw to protrude from the top of the flange by 3 mm.

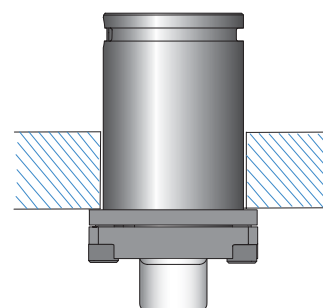
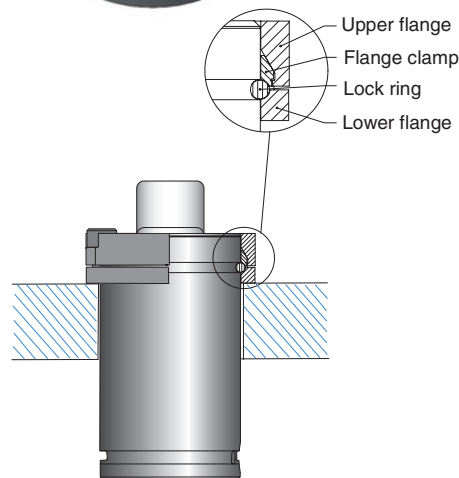
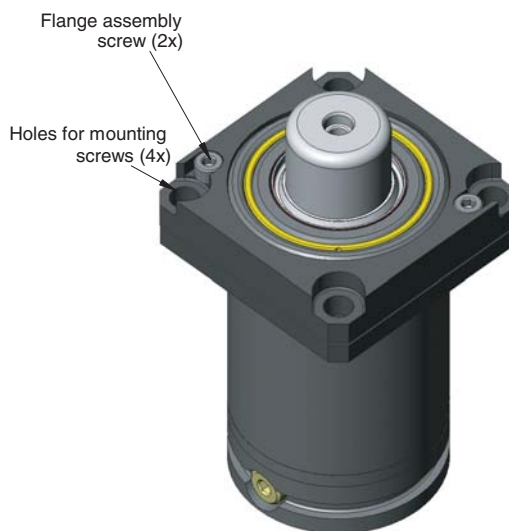
### Dimensions



Low cap head screws are recommended  
\* If standard screws are used

| Order No. | A   | B     | Ø C  | C  | E    |
|-----------|-----|-------|------|----|------|
| FCSC 750  | 70  | 56.5  | 9    | 24 | 19.5 |
| FCSC 1500 | 90  | 73.5  | 10.5 | 29 | 26   |
| FCSC 3000 | 110 | 92    | 12.5 | 33 | 30   |
| FCSC 5000 | 130 | 109.6 | 12.5 | 36 | 32.5 |
| FCSC 7500 | 162 | 138   | 16.5 | 41 | 38   |

### Mounting Possibilities



Patent No. SE 521352, other patents pending